



### 60W Single Output Switching Power Supply LED DRIVER

### FUSCV-60 SERIES



#### Features:

- Constant voltage mode power supply
- Universal AC input/Full range
- Fully encapsulated with IP67 waterproof level
- Protections: Short circuit/Over current/ Over Voltage
- Small and compact size
- UL1310 Class 2 power unit
- 100% full load burn-in test
- Suitable for LED lighting and moving sign applications
- 2 years warranty

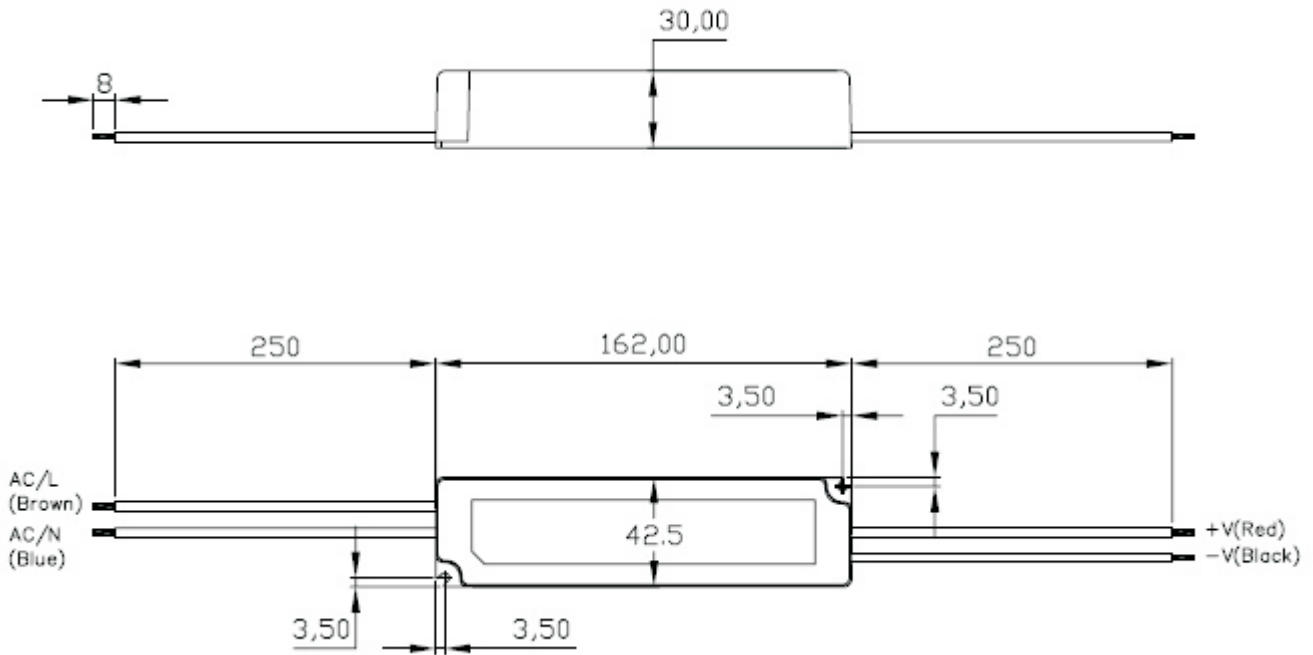
#### SPECIFICATION:

MODEL		FUSCV-60-12WP	FUSCV-60-24WP
OUTPUT	DC VOLTAGE	12V	24V
	RATED CURRENT	5A	2.5A
	CURRENT RANGE	0 ~ 5A	0 ~ 2.5A
	RATED POWER	60W	60W
	RIPPLE & NOISE (max.)	120mVp-p	200mVp-p
	VOLTAGE TOLERANCE	±3.0%	
	LINE REGULATION	±1.0%	
	LOAD REGULATION	±2.0%	
	SETUP, RISE TIME	500ms, 250ms/230VAC 500ms, 250ms/115VAC at full load	
	HOLD UP TIME (Typ.)	50ms/230VAC	24ms/115VAC at full load
INPUT	VOLTAGE RANGE	90-264VAC	
	FREQUENCY RANGE	47 ~ 63Hz	
	EFFICIENCY (Typ.)	82% full load	84% full load
	AC CURRENT	1.2A/100VAC 0.70A/240VAC	
	INRUSH CURRENT (max.)	COLD STAT 70A/230VAC 35A/115VAC	
	LEAKAGE CURRENT	0.25mA/240VAC	
PROTECTION	OVER CURRENT/ SHORT CIRCUIT	Above 150% ~ 200% rated output power or short circuit. Protection type: Hiccup mode, recovers automatically after fault condition is removed.	
	OVER VOLTAGE	Protection type: Hiccup mode, recovers automatically after fault condition is removed.	
	OVER TEMPERATURE	Tj 140°C typically (IC1) Detect on main control IC Protection type: Hiccup mode, recovers automatically after temperature goes down	
ENVIRONMENT	WORKING TEMP.	-10 ~ 50°C	
	WORKING HUMIDITY	20 ~ 90% RH non-condensing	
	STORAGE TEMP, HUMIDITY	-40 ~ 80°C, 10 ~ 95% RH	
	TEMP COEFFICIENT	±0.03%/°C (0 ~ 50°C)	
	VIBRATION	10 ~ 500Hz, 2G 10min./1cycle, period for 60min. each along X,Y, Z axes	
SAFETY & EMC	SAFETY STANDARDS	Design refer to UL1310 Class 2, TUV EN60950-1, EN61347-2-13, CAN/CSAC22.2 No. 223-M91, meet IP67	
	WITHSTAND VOLTAGE	I/P-O/P: 3KVAC	
	ISOLATION RESISTANCE	I/P-O/P: >100M Ohms / 500VDC / 25 ~ 70% RH	
	EMI CONDUCTION & RADIATION	Compliance to EN55022 (CISPR22) Class B	
	HARMONIC CURRENT	Compliance to EN61000-3-2,-3	
	EMS IMMUNITY	Compliance to EN61000-4-2,3,4,5,6,8,11; ENV50204, EN55024, light industry level, criteria A	
DIMENSION		162*42.5*30mm (L*W*H)	

60W Single Output Switching Power Supply LED DRIVER

**FUSCV-60 SERIES**

**Mechanical Specification**



**Block Diagram**

