



20W Single Output Switching Power Supply LED DRIVER

FUSCV-20 SERIES



Features :

- Constant voltage mode** power supply
- 100-120VAC /200-240VAC input only
- Fully encapsulated with IP67 waterproof level
- Protections: Short circuit/Over current /Over Voltage
- Small and compact size
- UL1310 Class 2 power unit
- 100% full load burn-in test
- Suitable for LED lighting and moving sign applications

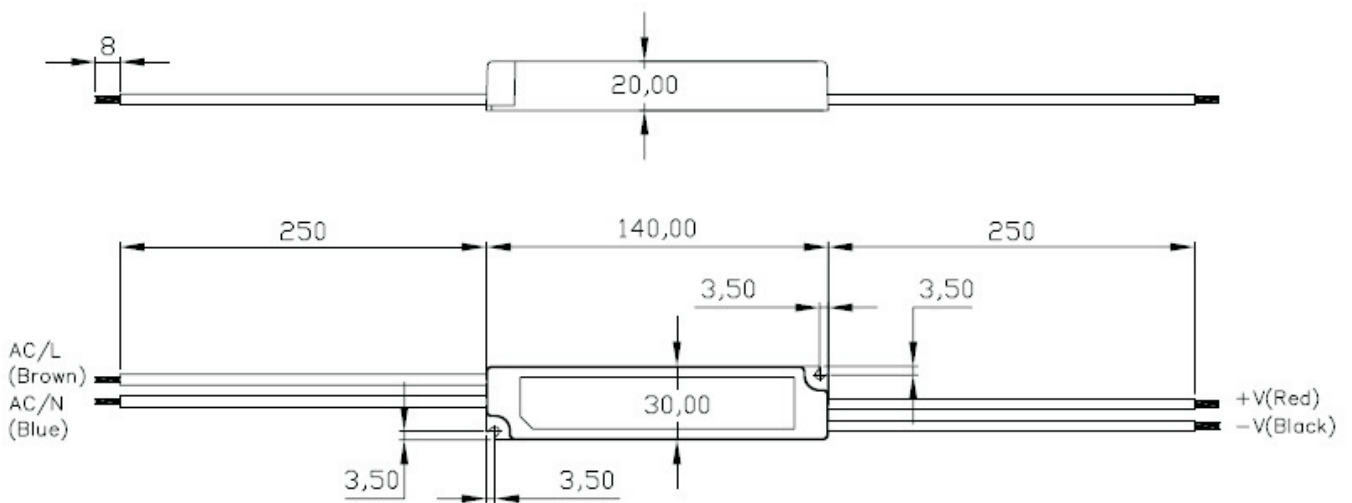
SPECIFICATION:

MODEL		FUS-20-12WP	FUS-20A-12WP	FUS-20-24WP	FUS-20A-24WP
OUTPUT	DC VOLTAGE	12V		24V	
	RATED CURRENT	1.5A		0.75A	
	CURRENT RANGE	0 ~ 1.5A		0 ~ 0.75A	
	RATED POWER	18W		18W	
	RIPPLE & NOISE (max.)	120mVp-p		120mVp-p	
	VOLTAGE TOLERANCE	± 3.0%			
	LINE REGULATION	± 1.0%			
	LOAD REGULATION	± 2.0%			
	SETUP, RISE TIME	500ms,250ms/230VAC 500ms, 250ms/115ac at full load			
HOLD UP TIME (Typ.)	50ms/200VAC 24ms/100VAC at full load				
INPUT	VOLTAGE RANGE	160-264VAC	90-132VAC	160-264VAC	90-132VAC
	FREQUENCY RANGE	47 ~ 63Hz			
	EFFICIENCY (Typ.)	80% full load		82% full load	
	AC CURRENT(at full load)	0.30A/200AC	0.55A/100VAC	0.30A/240AC	0.55A/100VAC
	INRUSH CURRENT (max.)	COLD STAT 70A /240VAC 35A/120VAC at full load			
	LEAKAGE CURRENT	0.25mA/240VAC			
PROTECTION	OVER CURRENT/ SHORT CIRCUIT	Above 150% ~ 200%rated output power or short circuit. Protection type: Hiccup mode, recovers automatically after fault condition is removed.			
	OVER VOLTAGE	Protection type : Hiccup mode, recovers automatically after fault condition is removed.			
	OVER TEMPERATURE	Tj 140°C typically(IC1) Detect on main control IC			
		Protection type: Hiccup mode, recovers automatically after temperature goes down			
ENVIRONMENT	WORKING TEMP	-10 ~ 50°C			
	WORKING HUMIDITY	20 ~ 90% RH non-condensing			
	STORAGE TEMP, HUMIDITY	-40 ~ 80°C, 10 ~ 95% RH			
	TEMP. COEFFICIENT	± 0.03%/°C (0 ~ 50°C)			
	VIBRATION	10 ~ 500Hz, 2G 10min./1cycle, period for 60min. each along X,Y, Z axes			
SAFETY & EMC	SAFETY STANDARDS	Design refer to UL1310 Class 2,TUV EN60950-1, EN61347-2-13, CAN/CSA C22.2 No. 223-M91, meet IP67			
	WITHSTAND VOLTAGE	I/P-O/P:3KVAC			
	ISOLATION RESISTANCE	I/P-O/P:>100M Ohms / 500VDC / 25 ~ 70% RH			
	EMI CONDUCTION & RADIATION	Compliance to EN55022 (CISPR22) Class B			
	HARMONIC CURRENT	Compliance to EN61000-3-2,-3			
EMS IMMUNITY	Compliance to EN61000-4-2,3,4,5,6,8,11; ENV50204, EN55024, light industry level, criteria A				
DIMENSION		140*30*20mm (L*W*H)			

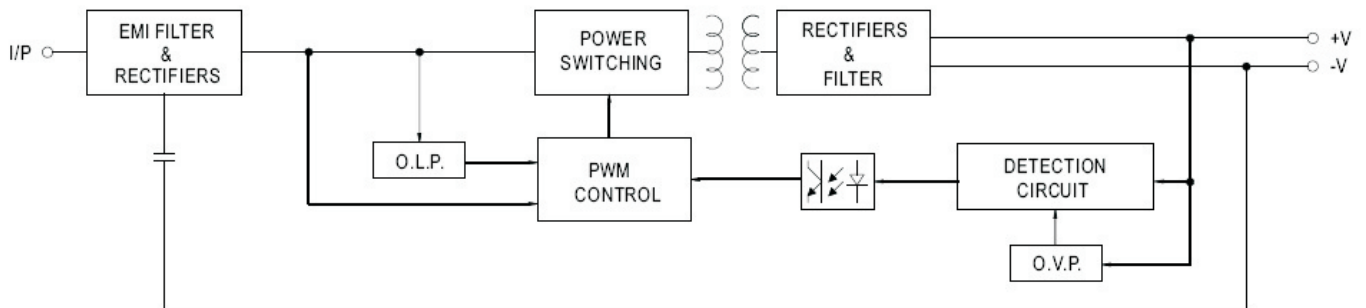
20W Single Output Switching Power Supply LED DRIVER

FUSCV-20 SERIES

Mechanical Specification



Block Diagram



<http://www.ukai.com-ukai@ukai.com>